

Energy Division

Low Voltage 2 & 4 Way Link Box

Application

Connecting or switching underground low voltage cables.

Description

Modular link box body kit in 2-way and 4-way configurations designed for 3 core CNE cables (95mm² - 300mm²) and most LV cables, including those with full-sized sectoral neutral / earth conductors. Snap-fit terminal cover permits on-site single resin casting with live connections. Complete kit includes casting shell assembly, cable setting jig, electrical connections, wedge links, diving bell lid, toolbox, pit enclosure, galvanised frame and cover.

Specification

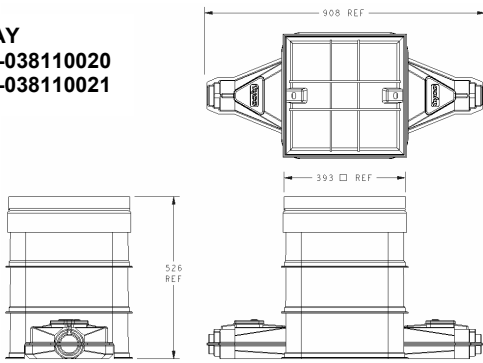
Meets or exceeds engineering recommendation C.81/4 BS7888 type approval for joints and 600/1000 volt cable systems. Pit frame and cover meet B125 EN124 standards.

Features and Benefits

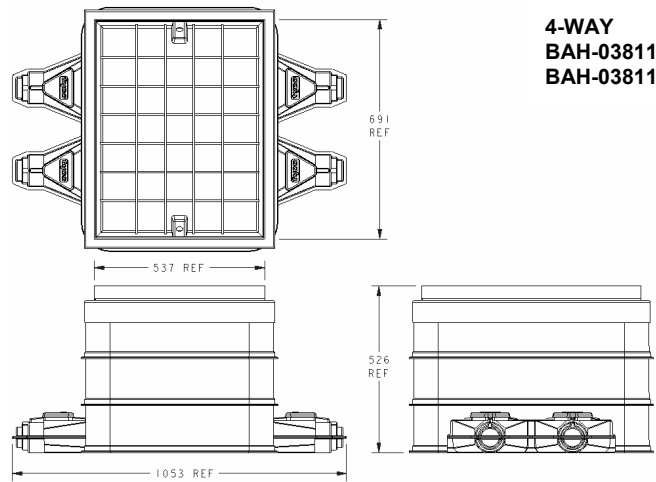
- Modular concept reduces weight and space required for link box positioning, making installation possible in congested areas while reducing excavation and reinstatement costs.
- Patented modular assembly integrates single resin casting, snap fit terminal cover, diving bell lid and pit enclosure.
- Supplied with the full set of required 82.5mm wedge links (3 links with 2-way box and 12 links with 4-way box).
- Unique injection moulded toolbox combines the functions of hiding the diving bell lid and storing out-of-service links with the bright yellow "Danger live electrical apparatus" warning.
- Cast iron diving bell lid with integrated moisture run-off and release system provides product integrity for up to a 2m head of water at 10° installation.
- Modular pit enclosure frame comes in 150mm deep sections for varying cable depths.

- Snap-fit terminal cover comes with printed colour and number phase identification, moulded resin bond area and is topped by a clear vacuum-formed debris protector.
- Live installation possible due to bespoke injection moulded shrouds.
- Cable core setting jig allows accurate conductor alignment before positioning the link box body, permitting easy access to cables and enabling better electrical connections.
- Clear vacuum-formed body shell allows both easy cable installation and inspection prior to resin fill. Shell designed for crossing 300mm² cores with sufficient resin coverage.
- Single resin casting reduces installation time and volume of required resin.
- Pit cover is housed in a galvanised metal frame and has 100mm of movement for uneven surfaces. Cover can be supplied with or without concrete fill, allowing on-site customization.
- Single resin casting eliminates moisture tracking and ingress problems resulting from multiple castings.
- All busbars and terminal spigots made from 6mm electro-tinned copper.
- All internal connections made with standard Tyco tested components (UET and BTCNE connectors) featuring mechanical shear torque controlled technology.
- Reduced number of connections improves electrical performance and product longevity.
- Error-proof assembly due to torque and system control software and zero-fault technology.

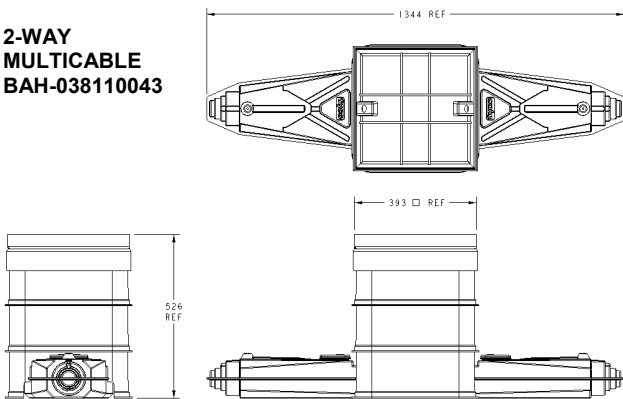
2-WAY
BAH-038110020
BAH-038110021



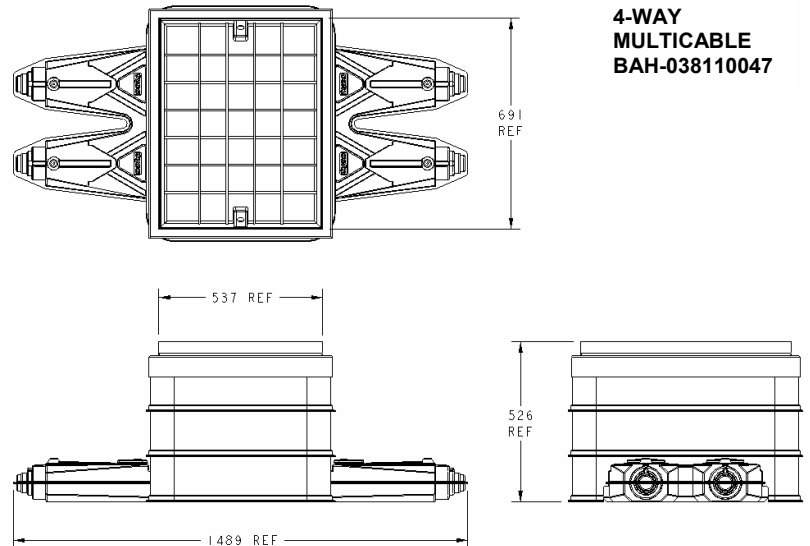
4-WAY
BAH-038110022
BAH-038110023



2-WAY
MULTICABLE
BAH-038110043



4-WAY
MULTICABLE
BAH-038110047



Short Desc	PN	TEPN	TCPN	Description	Weight (Kg)
1700/UK	BAH-038110020	4-1201785-5	A98272-000	2-Way 3 Core UK Link Box	48
1700/EX	BAH-038110021	9-1201786-5	F66051-000	2-Way 3 Core Export Link Box	48
1701/UK	BAH-038110022	9-1201785-9	D27898-000	4-Way 3 Core UK Link Box	125
1701/EX	BAH-038110023	2-1201785-2	A50369-000	4-Way 3 Core Export Link Box	125
1702/MC	BAH-038110043	-	CA1633-000	2-Way Multicable Link Box	49
1703/MC	BAH-038110047	-	CA1637-000	4-Way Multicable Link Box	127

All of the above information, including drawings, illustrations and graphic designs, reflects our present understanding and is to the best of our knowledge and belief correct and reliable. Users, however, should independently evaluate the suitability of each product for the desired application. Under no circumstances does this constitute an assurance of any particular quality or performance. Such an assurance is only provided in the context of our product specifications or explicit contractual Arrangements. Our liability for these products is set forth in our standard terms and conditions of sale. TE Logo and Tyco Electronics are trademarks.

Energy Division – economical solutions for the electrical power industry : cable accessories, connectors & fittings, electrical equipment, instruments, lighting controls, insulators & insulation enhancement and surge arresters.

Tyco Electronics UK Ltd
 Energy Division
 Freebournes Road, Witham, Essex, CM8 3AH, England.

Phone : +44 (0)870 870 7500
 Fax : +44 (0)870 240 5287
<http://energy.tycoelectronics.com>

© Tyco Electronics BH-0506-121207